



SAFIRE

SAFIRE AFFORDABLE LUXURY BRAAI INSERT MODELS: 1000, 1200 & 1500

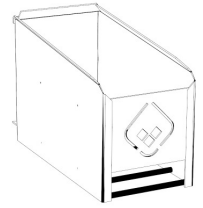


INSTALLATION INSTRUCTIONS & USER MANUAL

Actual product may differ slightly from the picture above
SAfire products and factories comply with the Quality Management System standards required by all major retailers in South Africa.

1. Embermaker/Firestarter(made from 430 Grade Stainless Steel)

The Embermaker is used to start your fire quickly. Place your wood inside and light the fire, the hot embers will drop through the grate onto the ash pan below. The Embermaker is mounted onto the rear guide rail in the braai, it can be moved to the centre of the braai to accommodate two smaller grids.



2. Electro-Plated Grid

One grid is included with this braai and smaller grids can be purchased to use in conjunction with the Embermaker in the centre of the braai.



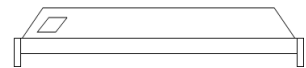
3. Light Fitting

A bulkhead light fitting is included with the braai. It is mounted on the left hand side of the braai in the holes provided, electrical wiring must be provided during the installation process. It uses standard bayonet light bulbs.



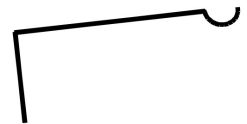
4. Heavy Duty Ash Pan

The braai has a heavy-duty ash pan made from 304 SS included, you may not make your fire directly on top of this. It has a hole on the left for scooping ash into the optional ashtray.



5. Potjie Hook

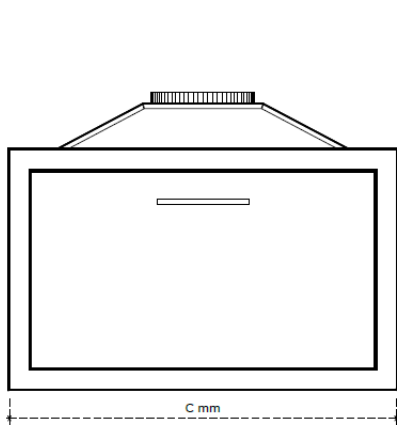
The Potjie hook can accommodate a No ¼ to No 3 Potjie pot. It is located in the left side of the braai.



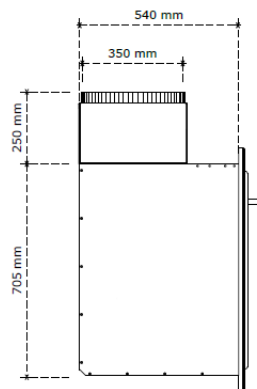
Optional Extras are available from your nearest retailer or directly from SAfire. Please visit our website for a full range of braai accessories - www.safirecollection.com

Sizes and Measurements

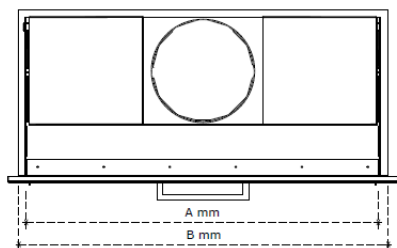
Use the following table to construct the brickwork for your SAfire Braai.



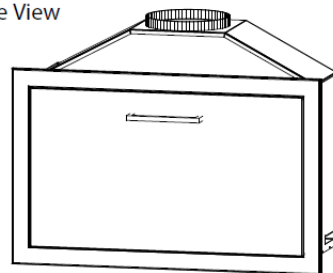
Front View



Side View



Top View



3D View

A	B (Wall cavity)	C
1500	1590	1630
1200	1290	1330
1000	1090	1130

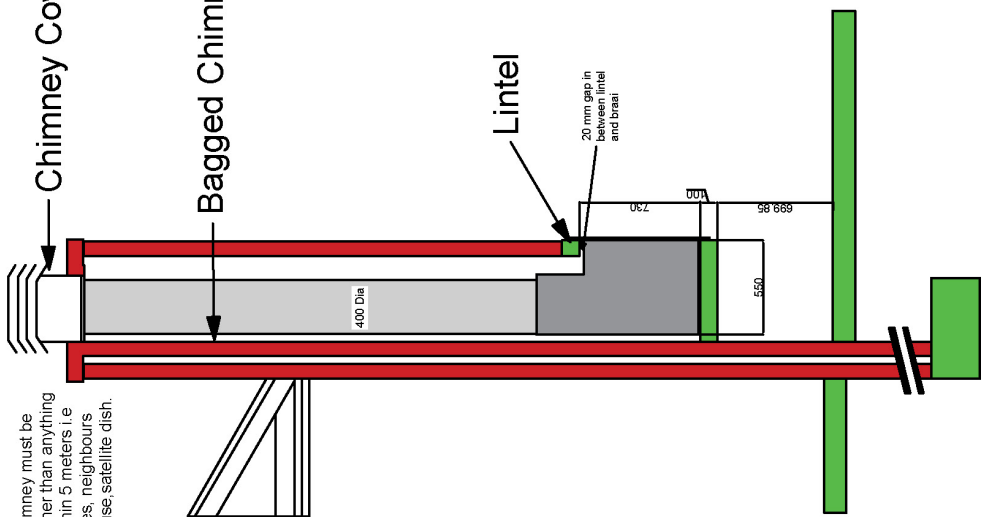
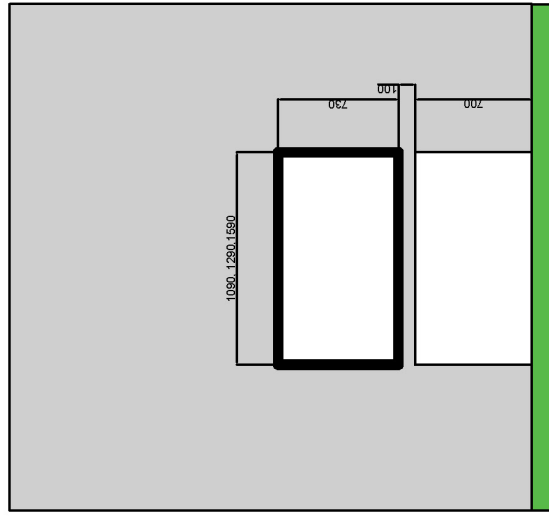
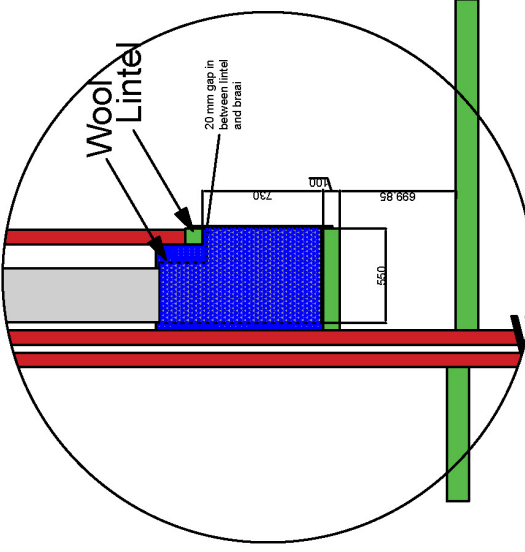
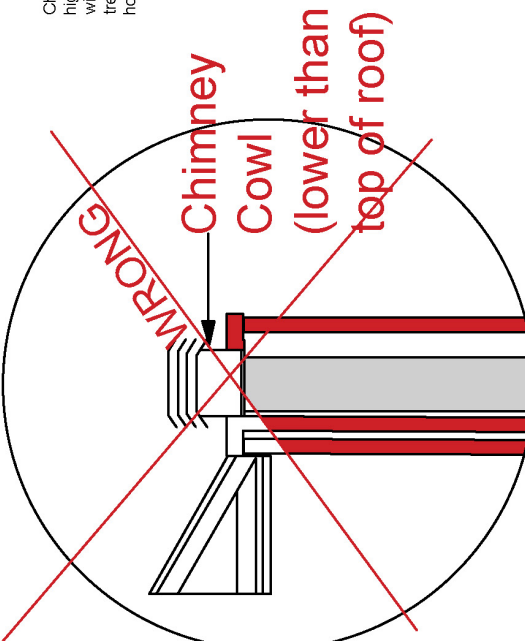
Chimney must be higher than anything within 5 meters i.e trees, neighbours house, satellite dish.

Chimney Cowl (1m higher than top of roof)

Bagged Chimney walls on inside

Lintel

20 mm gap in between lintel and braai



This product has a 10 year limited warranty, which extends to the overall construction and workmanship of the product. Rust, paint discoloration, various parts and incorrect installation are not covered by this warranty. To protect your interest, be sure to employ a reputable and competent builder to do the installation. Points to keep in mind are:

1. Construct brick support walls for the unit to your personal desired height. Concrete lintels can be used for the base support and a height of 800 mm is recommended.
2. Position the unit and cover the back, sides and top with insulation, before unit is bricked in. Any type of fire-glass wool or ceiling insulation can be used. Not included with this product.
3. To allow for expansion, ensure a gap of 20mm between back top and sides of the body of the unit and the brickwork.
4. Also make provision for electrical wiring for the light fitting on the left side of the braai in the holes provided.
5. Chimney height with a minimum of 2.0m is critical for a proper draw. It is recommended that one steel flue pipe be installed. The remainder of the chimney may be constructed from brickwork and should be bagged. You may choose to use more than one flue pipe.
6. The inner dimensions of the chimney must not be less than the flue outlet opening on the top of the unit. Example 350 diameter.
7. Steel flue linings will provide a smooth surface for better draw and protect the brickwork against heat corrosion.
8. Use standard flashing material and procedure to waterproof the roof around the chimney. Not supplied with this product.
9. The flue can be offset to avoid obstructions, providing sufficient support to prevent sagging. 45 Degree bends are available at Retailers.
10. A turbo cowl is necessary to prevent down drafts on windy days and will prevent rain from entering the chimney. The chimney and the cowl must be 100 % level and the gap between the lowest part of the cowl and the chimney must be minimal. A "bolt-on base" is supplied with the unit.
11. After installation, all exposed parts of the chimney and turbo cowl can be painted with good quality heat resistant black enamel paint.
12. Before having your first fire, a normal size fire is to be made and burned until no paint smell remains.

NB: This is a Stainless steel product and the warranty does not extend to rust or paint discoloration. SAfire will not accept any claims against rust occurrence after installation has taken place, regardless of the date of installation. Owners are advised to take the necessary precautions to protect their product against rust by regularly checking the installation and repainting areas were necessary. Coastal residences are advised to take extra precaution against rust in humid and coastal regions.