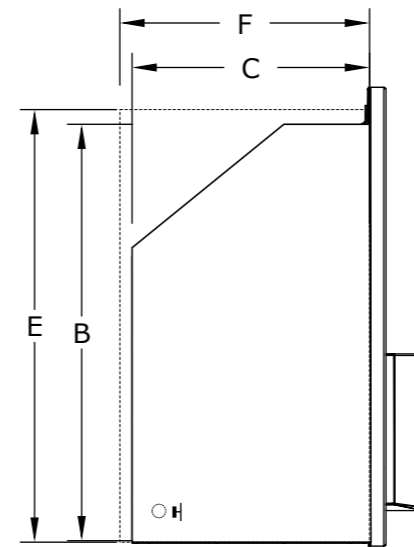


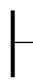
Front View

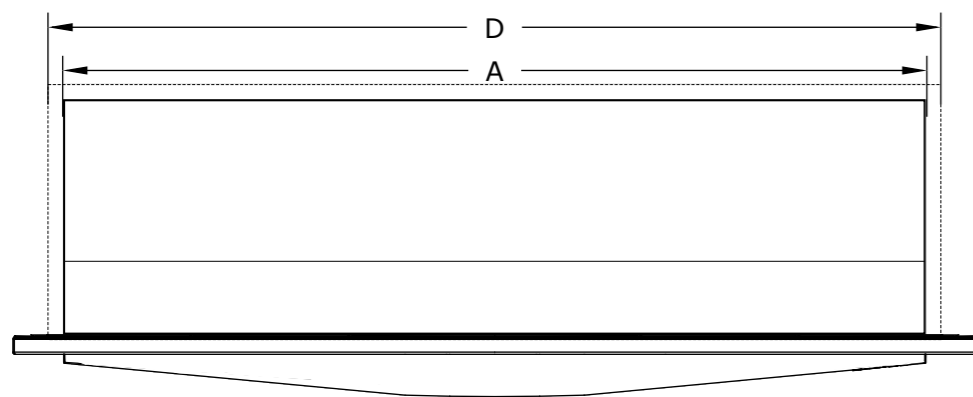


Side View

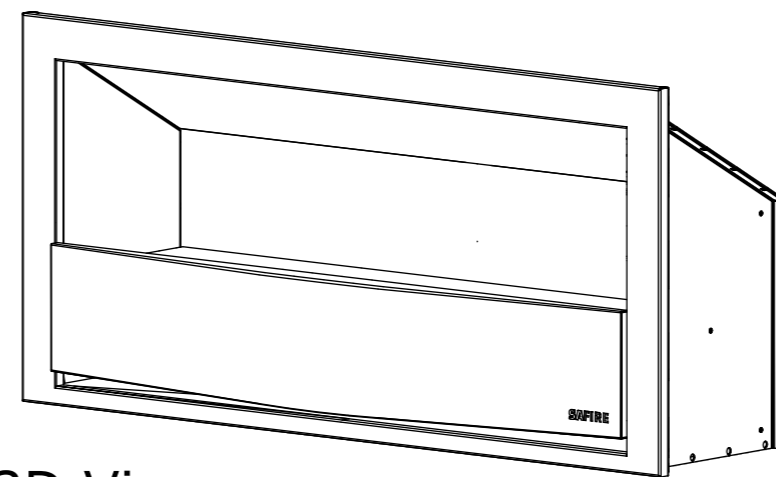
Finished Plastered Size					
A	B	C	D	E	F
750	480	340	800	500	350
890	480	340	950	500	350
1180	480	340	1250	500	350

A	Kw	Gas Consumption(p/h)	Heats m3
750	8	525	220
890	10.5	725	300
1180	13	970	380

 Gas supply line by specialist to left hand side or Right hand as well as back side of unit



Top View



3D View

Minet Fireplace